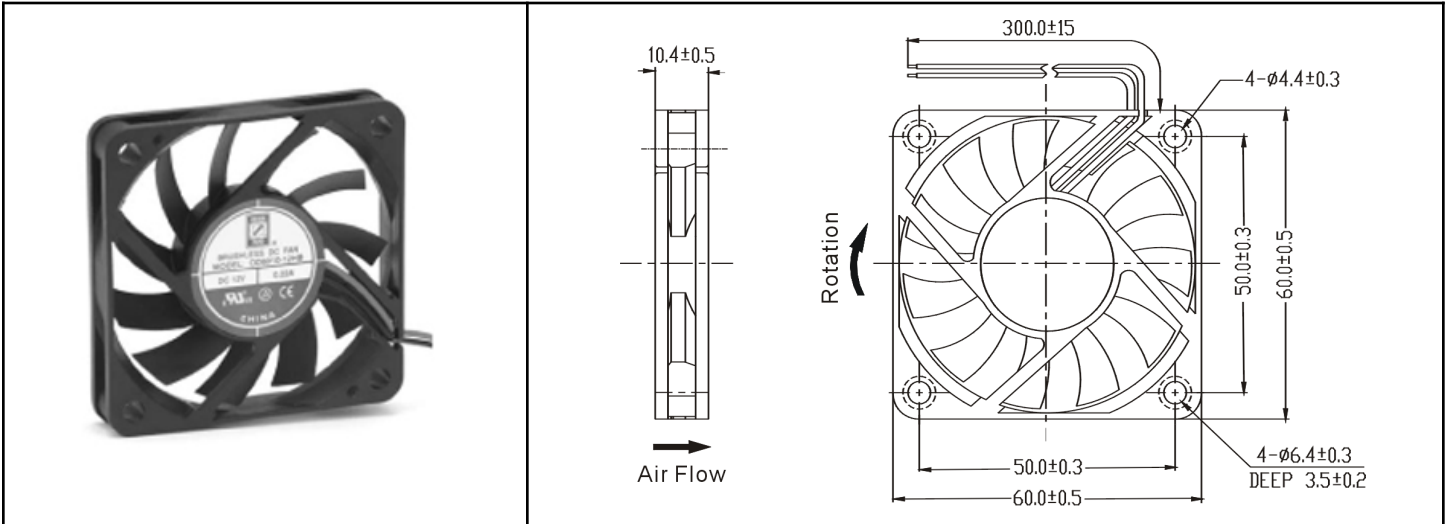


# OD6010 Series



DC Fan - 12V  
60x10mm (2.36"x 0.39")



Frame & Impeller	PBT, UL94V-O plastic	<b>Available Options:</b>  Tachometer (Frequency Generator) White Lead  Alarm (Rotation Detector) Yellow Lead  <u>Life Expectancy (L10)</u> Ball - 60,000 hrs (45C) Sleeve - 30,000 hrs (45C)  <u>Operating Temperature</u> Ball: -20 ~ 80C Sleeve: -10 ~ 50C	
Connection	2x Lead wires 24AWG		
Motor	Brushless DC, auto restart, impedance and polarity protected		
Bearing System	Ball bearing or Sleeve		
Insulation Resistance	10M ohm between leadwire and frame (500VDC)		
Dielectric Strength	1 second at 500 VAC, max leakage - 500 MicroAmp		
Storage Temperature	-30C ~ +90C		

Model Number	Speed (RPM)	Airflow (CFM)	Noise (dB)	Volts DC	Voltage Range (VDC)	Amps	Max. Static Pressure (\"H2O)
OD6010-12H *	4200	19	32	12	8~17	0.22	0.11
OD6010-12M *	3600	16	28	12	8~17	0.17	0.08
OD6010-12L *	3000	14	24	12	8~17	0.14	0.06

\* Indicate "B" for ball bearing or "S" for sleeve bearing